



KNAUFCEILING
Solutions

DATASHEET

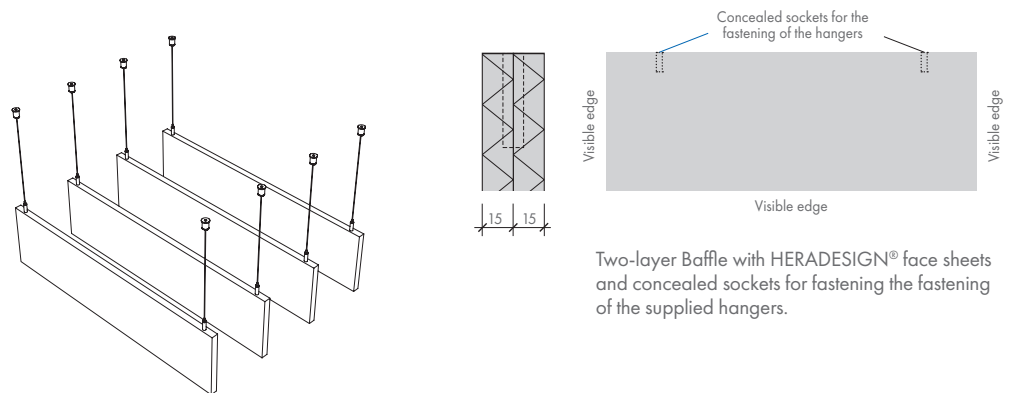
HERADESIGN[®] Baffle Element

HERADESIGN[®] Baffle Element is a two-layer cost-effective wood wool acoustic solution, with HERADESIGN[®] face sheets and concealed sleeves for attaching the supplied hangers.

- They are supplied as a kit and are therefore quick and easy to install
- The Baffles are available in HERADESIGN[®] Fine and Superfine surfaces
- Available in 1200x600, 1200x300, 600x600 and 600x300mm sizes only
- Many colours from colour systems such as RAL and NCS are selectable



Surface		HERADESIGN® Fine, Fine A2		HERADESIGN® Superfine, Superfine A2						
Thickness		30mm								
Standard dimensions and weights		Format (mm)	Weight (kg/Baffle)							
			HERADESIGN® Fine	HERADESIGN® Fine A2	HERADESIGN® Superfine	HERADESIGN® Superfine A2				
		600 x 300	3.1	4.8	3.0	4.5				
		1200 x 300	6.3	9.7	6.0	8.9				
		600 x 600	6.1	9.5	5.8	8.8				
1200 x 600	12.2	19.0	11.6	17.6						
System		Including Hangig wire kit. Rope length 1000mm.								
Fire reaction		Euroclass B-s1,d0 and A2-s1,d0 according EN 13501-1								
Sound absorption		HERADESIGN® Baffle Element Fine: α_w up to 0.55 / NRC up to 0.60 HERADESIGN® Baffle Element Superfine: α_w up to 0.55 / NRC up to 0.60								
Light reflectance		HERADESIGN® Fine (only white): 76% HERADESIGN® Superfine (only white): 72%								
Humidity resistance		Not suitable for indoor swimming pools, underground garages and outdoor areas.								
Cleanability										
Colours		Standard colours		Vario Design colours						
		White Similar to RAL 9010	Beige Natural tone 13	<ul style="list-style-type: none"> • Other colours from popular RAL and NCS colour systems are available. • Deviations in colour and visual appearance may occur due to the rough fibre and panel surface. 						
Sustainability										



Products may vary from country to country. Please contact your local sales representative. For further information and legal notice, please visit our website.