



KNAUFCEILING
Solutions

DATASHEET

HERADESIGN® Sky Element



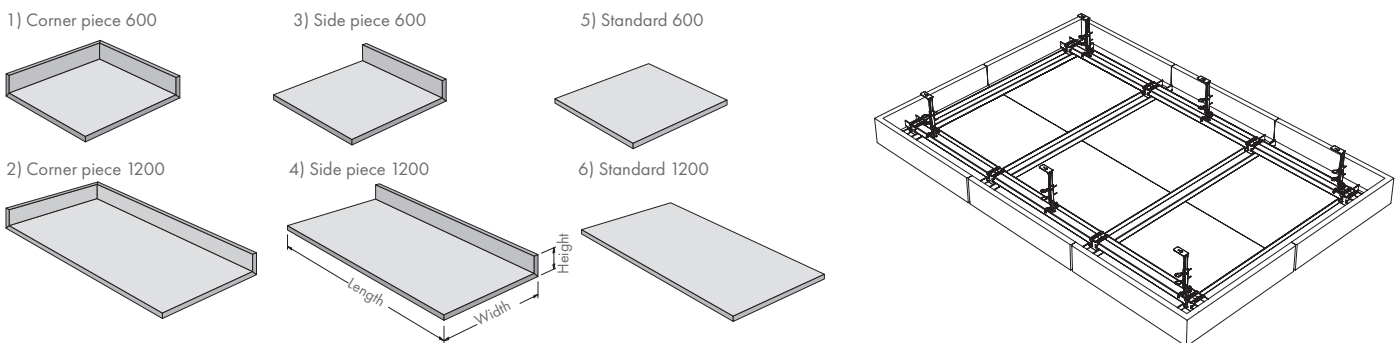
HERADESIGN® Sky Element is a decorative wood wool acoustic canopy that offers unlimited design possibilities

- HERADESIGN® Sky Element is available with a HERADESIGN® Superfine, Superfine A2, Fine and Fine A2 surface
- To be used in new spaces or to rejuvenate or renovate an existing area
- Provides effective sound absorption
- A variety of prefabricated canopies available in different dimensions
- Integrated upstand 125mm (other dimensions available on request)
- Modular system for flexible design
- Concealed / indirect lighting possibilities

KNAUFCEILINGSOLUTIONS.COM

YOUR **CEILING**
OUR **SOLUTIONS**

Surface		HERADESIGN® Fine, Fine A2		HERADESIGN® Superfine, Superfine A2									
Edge details						AK-01							
Thickness		25mm											
Dimensions and weights		Systemteil	Format L x B x H (mm)	Weight (kg/Element)									
				HERADESIGN® Fine	HERADESIGN® Superfine								
		1) Corner piece 600	600 x 600 x 125	6.3	5.8								
		2) Corner piece 1200	1200 x 600 x 125	11.7	10.7								
		3) Side piece 600	600 x 600 x 125	5.4	4.9								
		4) Side piece 1200	1200 x 600 x 125	10.8	9.8								
		5) Standard 600	600 x 600	4.5	4.1								
6) Standard 1200	1200 x 600	8.9	8.1										
System		Metal or wooden double layer grid system for screw mounting											
Fire reaction		Euroclass B-s1,d0 and A2-s1,d0 according EN 13501-1											
Sound absorption		HERADESIGN® Sky Element 2400 x 1200 x 125mm (L x B x H)											
		Board type 2400x1200x125mm (L x W x H)	Thickness [mm]	AH [mm]	HERADESIGN® Acoustic lining [mm] [kg/m²]		Equivalent absorption area A _{obj} [m²] Frequencies [Hz]						
					125	250	500	1000	2000		4000		
		HERADESIGN® Fine	25	200	0	0	1.00	2.20	1.80		2.50	3.70	3.70
		HERADESIGN® Fine	25	200	50	50	1.50	3.60	4.00		3.70	4.10	3.90
HERADESIGN® Superfine	25	200	0	0	0.80	2.00	1.80	2.50	3.50	4.20			
HERADESIGN® Superfine	25	200	50	50	1.40	3.70	4.30	4.40	4.30	4.80			
Humidity resistance		Suitable for rooms with a constant humidity of up to 90%. For applications where there is a constant humidity in excess of 80%, construction physics advice is recommended.											
Cleanability													
Colours		Standard colours		vd Vario Design colours									
		White Similar to RAL 9010	Beige Natural tone 13	Granite	Steel	Green Marble	Copper	Oak	Brass	Sandstone	Concrete		
		<ul style="list-style-type: none"> • Other colours from popular RAL and NCS colour systems are available. • Deviations in colour and visual appearance may occur due to the rough fibre and panel surface. 											
Sustainability													



Products may vary from country to country. Please contact your local sales representative. For further information and legal notice, please visit our website.